

Optional "CLEANING"  
 ASM795.24002

Optional "CLEANING"  
 VAL100  
 POM1005  
 SUP202.15005

VAL100

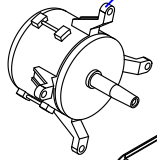
SUP202.15005

POM1005

KITSCH23014

TAR906.01166

MOT103



MOT103/1  
 KITSCH23011  
 ELE500/1  
 VAL110/1

MOR203.05002  
 VAL100  
 RID208.06001

ELE500 (50Hz)  
 ELE207.01001 (60Hz)

TER213

FIL202.10001

MIC209



PIE205.01003

KITSCH23014

TAR906.01166

Optional "CLEANING"  
 ASM795.24002

GUA504.03046

BRO08005

FER504.06009  
 POR150/3

LAM125

SON202.05009  
 VEN150

TER116  
 POR150/5

SON151

BRO503.09003

GAN205.03015

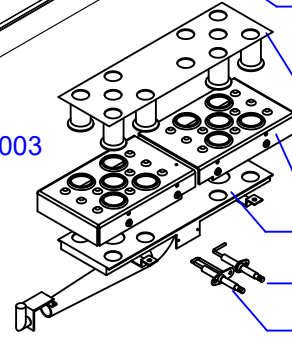
RIP900

RIP700

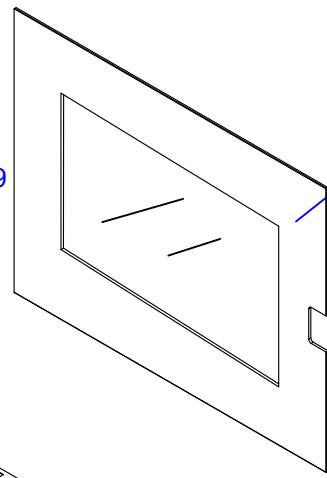
BRU230

ELE207.03007

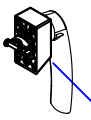
ELE207.03006



MAN504.02004



CRI504.04110



MAN205.03023

ASM732.06001

DIS504.06007

DIS504.06008

075888 - .....

905.32104-04



IT

GB

FR

DE

ES

ASM732.06001  
ASM795.24002  
BRO08005  
BRO503.09003  
BRU230  
CRI504.04110  
DIS504.06007  
DIS504.06008  
ELE207.01001  
ELE207.03006  
ELE207.03007  
ELE500  
ELE500/1  
FER504.06009  
FIL202.10001  
GAN205.03015  
GUA504.03046  
KITSCH23011  
KITSCH23014  
LAM125  
MAN205.03023  
MAN504.02004  
MIC209  
MOR203.05002  
MOT103  
MOT103/1  
PIE205.01003  
POM1005  
POR150/3  
POR150/5  
RID208.06001  
RIP700  
RIP900  
SON151  
SON202.05009  
SUP202.15005  
TAR906.01166  
TER116  
TER213  
VAL100  
VAL110/1  
VEN150

VETRO INTERNO  
DOCCIA LAVAGGIO  
BRONZINA CERNIERA SUPERIORE  
BRONZINA CERNIERA INFERIORE  
BRUCIATORE  
VETRO ESTERNO  
BLOCCA VETRO  
BLOCCA VETRO RUOTANTE  
ELETTRIVALVOLA GAS  
ELETTRODO ACCENSIONE  
ELETTRODO FIAMMA  
ELETTRIVALVOLA GAS  
CONTROLLO FIAMMA  
BLOCCA VETRO INTERNO  
FILTRO EMC  
GANCIO MANIGLIA  
GUARNIZIONE CELLA  
SCHEDA POTENZA  
SCHEDA DISPLAY  
LAMPADINA ALOGENA  
MANIGLIA  
MANOPOLA COMANDI  
MICRO-INTERRUTTORE PORTA  
MORSETTIERA  
MOTORE VENTOLA  
CONDENSATORE  
PIEDINO  
POMPA SOLENOIDE  
PORTALAMPADA  
TRASFORMATORE  
RIDUTTORE DI PORTATA  
RIPARO BRUCIATORE  
RIPARO BRUCIATORE  
SONDA AL CUORE  
SONDA DI TEMPERATURA Pt100  
SUPPORTI POMPE  
TARGA ADESIVA COMANDI  
TERMOSTATO DI SICUREZZA  
RELE  
ELETTRIVALVOLA UMIDIFICATORE  
RIDUTTORE DI PORTATA  
VENTOLA

INTERNAL GLASS  
SHOWER WASHING  
HINGE BUSH  
HINGE BUSH  
BURNER  
EXTERNAL GLASS  
BLOCKS GLASS  
REVOLVING BLOCKING GLASS  
GAS SOLENOID VALVE  
IGNITION ELECTRODE  
FLAME ELECTRODE  
GAS SOLENOID VALVE  
FLAME CONTROL  
BLOCKS INNER GLASS  
EMC FILTER  
HANDLE NIB  
DOOR SEAL  
POWER BOARD  
DISPLAY BOARD  
HALOGEN LAMP  
HANDLE  
KNOB  
MICROSWITCH  
SUPPLY TERMINAL BOARD  
MOTOR FAN  
CAPACITOR  
ADJUSTABLE FOOT  
PUMP SOLENOID  
LAMPHOLDER  
TRANSFORMER  
FLOW-RATE REDUCTION UNIT  
SHELTER BURNER  
SHELTER BURNER  
CORE PROBE  
PROBE Pt100  
SUPPORT PUMPS  
SCREEN PRINTED PLATTE  
SAFETY THERMOSTAT  
RELAY  
SOLENOID VALVE  
FLOW-RATE REDUCTION UNIT  
FAN

VITRE INTERNE  
DOUCHE LAVAGE  
COUSSINET CHARNIÈRE  
COUSSINET CHARNIÈRE  
BRÛLEUR  
VITRE EXTERNE  
BLOQUE VERRE  
BLOCAGE TOURNANT DU VERRE  
ELECTROVANNE GAZ  
ELECTRODE D'ALLMAGE  
ELECTRODE FLAMME  
ELECTROVANNE GAZ  
CONTRÔLE FLAMME  
BLOQUE VERRE INTERNE  
FILTRE EMC  
MENTONNET DE LA MANETTE  
JOINT PORTE INTERNE  
CARTE PUISSANCE  
CARTE AFFICHAGE  
LAMPE HALOGÈNE  
POIGNEE'  
MANETTE  
MICRO-INTERRUPTEUR  
BORNE ALIMENTATION  
MOTEUR  
CONDENSATEUR  
PIED RÉGABLE  
POMPE SOLENOÏDE  
PORTE-LAMPE  
TRANSFORMATEUR  
RÉDUCTEUR DE DÉBIT  
BRÛLEUR ABRI  
BRÛLEUR ABRI  
SONDE AU COEUR  
SONDE Pt100  
SUPPORT POMPE  
PLAQUE SÉRIGRAPHIÉE  
THERMOSTAT DE SÉCURITÉ  
RELAIS  
ELECTROSOUPE  
RÉDUCTEUR DE DÉBIT  
VENTILATEUR

INNENGLAS  
WASCHDUSCHE  
SCHARNIER BUCHSE  
SCHARNIER BUCHSE  
BRENNER  
AUSSENGLAS  
BLOCK-GLAS  
DREHBLOCK-GLAS  
GAS-MAGNETVENTIL  
ZÜNDELEKTRODE  
FLAMMEN ELEKTRODE  
GAS-MAGNETVENTIL  
FLAMMENSTEUERUNG  
BLOCK-INNENGLAS  
EMC FILTER  
HANDGRIFF-SPITZE  
DICHTUNG INNENTÜR  
LEISTUNG LEITERPLATTE  
ANZEIGE LEITERPLATTE  
HALOGENLAMPE  
GRIFF  
BEDIENKNOPF  
MIKROSCHALTER  
VERSORGUNGSKLEMMENLEISTE  
MOTOR  
KONDENSATOR  
STELLFÜSS  
PUMPE SOLENOID  
LAMPENFASSUNG  
TRANSFORMATOR  
STROMVENTIL  
SCHUTZ BRENNER  
SCHUTZ BRENNER  
KERNFÜHLER  
FÜHLER Pt100  
SUPPORT PUMPEN  
SIEBDRUCKSCHILD  
SICHERHEITSTHERMOSTAT  
HILFSRELAIS  
MAGNETVENTIL  
STROMVENTIL  
LÜFTERRAD

CRISTAL INTERIO  
DUCHA LAVADO  
CASQUILLO BISAGRA  
CASQUILLO BISAGRA  
QUEMADOR  
CRISTAL EXTERIOR  
BLOQUEA VIDRIO  
BLOQUEO GIRATORIO DEL VIDRIO  
ELECTROVÁLVULA GAS  
ELECTRODE ENCENDIDO  
ELECTRODE FLAMA  
ELECTROVÁLVULA GAS  
CONTROL DE FLAMA  
BLOQUEA EL CRISTAL INTERNO  
FILTRO EMC  
NARIZ  
BURLETA INTERIOR PUERTA  
TARJETA POTENCIA  
TARJETA DEL PANEL DISPLAY  
LAMPARA ALOGENA  
TIRADOR  
MANOPLA  
MICRO INTERRUPTOR  
CAJA DE BORNES ALIMENTACIÓN  
MOTOR  
CONDENSATOR  
PATA CON REGULACIÓN  
BOMBA SOLENOIDE  
PORTA-LÁMPARA  
TRANSFORMADOR  
REDUCTOR DE ALCANCE  
REFUGIO DE QUEMADOR  
REFUGIO DE QUEMADOR  
SONDA AL CORAZÓN  
SONDA Pt100  
GOMA BOMBA  
PLACA SERIGRAFADA  
TERMOSTATO DE SEGURIDAD  
RELE  
ELECTROVÁLVULA  
REDUCTOR DE ALCANCE  
VENTILADOR